

## Element CA857

Point-of-Sale Terminal



The Element CA857 is a sleek and versatile 15.6" Point-of-Sale Terminal that helps provide the best customer experience for the retail & hospitality clients. With its ultra slim body, attractive metallic design and number of flexible configurations, the CA857 carries out the transactions quickly and efficiently, helping build customer loyalty and growing your business.

- > 15.6" narrow border PCAP touchscreen
- > Ultra slim and fanless
- > Aesthetic metallic design
- > 350° swivel and ergonomic design
- > MSR / iButton / Fingerprint Reader / NFC Reader / 2D Scanner / 2nd Display / Customer Display Available



Intel & Qualcomm



Fanless Design



11.6" & 15.6"  
2<sup>nd</sup> Display



Modular Design



Win 10 IOT,  
Android, Linux



NFC



MSR



2D Scanner

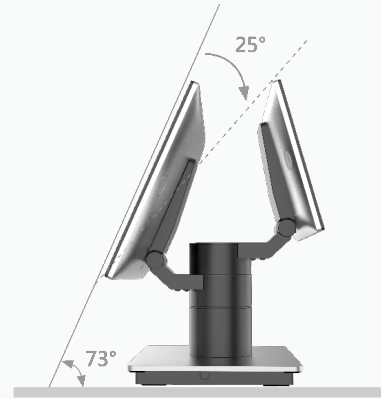


Finger Print

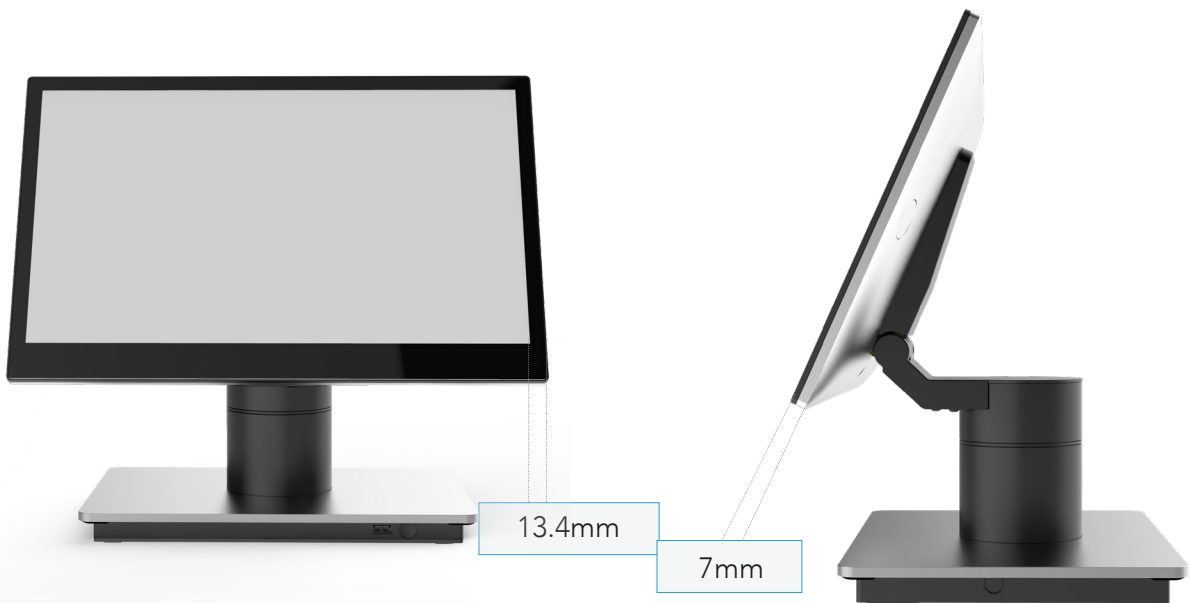


iButton

## ERGONOMIC DESIGN



## THE THINNEST POS TERMINAL ON THE MARKET



# WIDE RANGE OF PERIPHERALS - AVAILABLE ON BOTH SIDES



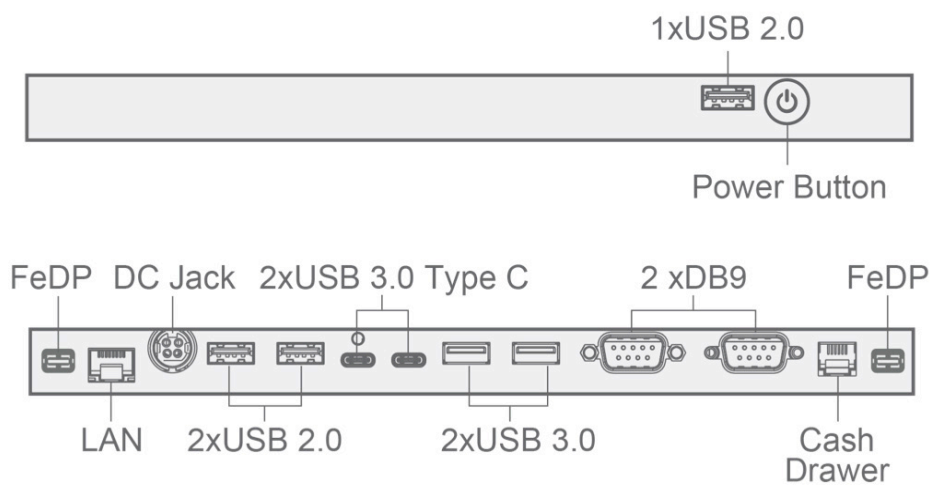
# FLEXIBLE ASSEMBLY



## SECOND DISPLAY/CUSTOMER DISPLAY AVAILABLE



## IO PORT



# Technical Specifications - CA857

Item			
System	Motherboard	F34	F84U
	Processor	Intel® Elkhart Lake Celeron J6412	Intel® Tiger Lake i3-1115G4
	System Memory	4GB DDR4	4GB DDR4
	Storage Device	128GB SSD (M.2)	128GB SSD (M.2)
Display	Size and Resolution	15.6" 1920 x 1080	15.6" 1920 x 1080
	Touch Screen	True-Flat PCAP multi-touch	True-Flat PCAP multi-touch
I/O Ports (Front Side)	USB Type-A	1x USB2.0	1x USB2.0
I/O Ports (Rear Side)	USB Type-A	2x USB3.0 2x USB2.0	2x USB3.0 2x USB2.0
	USB Type-C	1x USB2.0 (data only) 1x USB3.0 (data only)	1x USB3.0 (data only) 1x USB3.0 (full-featured)
	Serial Port	2x DB9 (Powered RS232) (default: 0V; COM1/COM2: 0V, 5V, 12V)	2x DB9 (Powered RS232) (default: 0V; COM1/COM2: 0V, 5V, 12V)
	LAN	1x RJ45	1x RJ45
	Cash Drawer	1x RJ11	1x RJ11
	DC Jack	1x 4PIN (with latch)	1x 4PIN (with latch)
Audio	Internal Speaker	1x 3W (Option)	1x 3W (Option)
Indicator	Power Button	1	1
	Power LED	1	1
Power	Power Adapter	65W / 19V	120W / 19V
Communication	WLAN + BT	WiFi+BT USB dongle (Option)	WiFi+BT USB dongle (Option)
Peripherals (Option)	MSR	3-Track MSR (USB)	3-Track MSR (USB)
	Fingerprint	Fingerprint Reader (USB)	Fingerprint Reader (USB)
	NFC	NFC Reader	NFC Reader
	iButton	iButton (USB)	iButton (USB)
	Scanner	2D Scanner	2D Scanner
	Customer Display	LCM display 2 x 20 characters (USB)	LCM display 2 x 20 characters (USB)
	2nd Display	11.6" & 15.6" 2nd display	11.6" & 15.6" 2nd display
	Powered USB Box	2x 12V Powered USB 1x 24V Powered USB	2x 12V Powered USB 1x 24V Powered USB
Accessories (option)	Cable	Converter cable for FeDP to VGA Converter cable for FeDP to HDMI	Converter cable for FeDP to VGA Converter cable for FeDP to HDMI
	Thermal Solution	Heatsink kit	Heatsink kit
Certificate	EMC & Safety	FCC Class A, CE Mark, LVD	FCC Class A, CE Mark, LVD
Environment	Operating Temperature	0°C ~ 35°C (32°F ~ 95°F)	0°C ~ 35°C (32°F ~ 95°F)
	Storage Temperature	-20°C ~ 60°C (-4°F ~ 140°F)	-20°C ~ 60°C (-4°F ~ 140°F)
	Humidity	20% ~ 85% RH non-condensing	20% ~ 85% RH non-condensing
Dimensions (WxDxH)		369 x 200 x 375 mm (14.5" x 7.9" x 14.8")	369 x 200 x 375 mm (14.5" x 7.9" x 14.8")
OS Supported		Windows 10 IoT Enterprise, Linux	Windows 10 IoT Enterprise, Linux

Product specifications and data are subject to change without notice (E & OE)